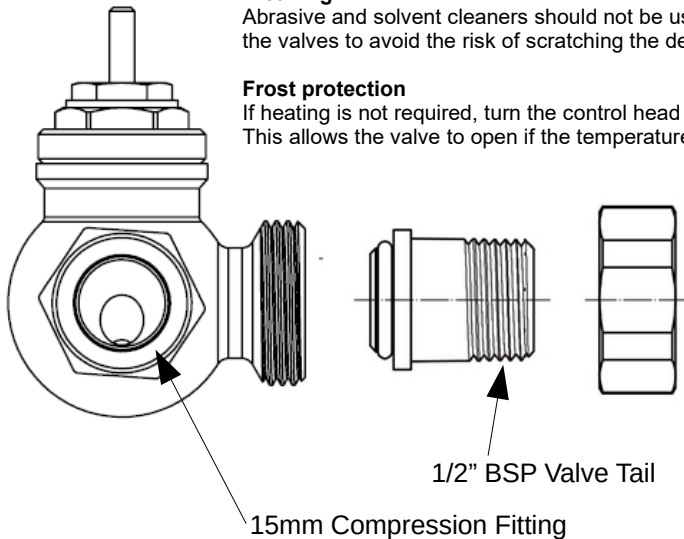
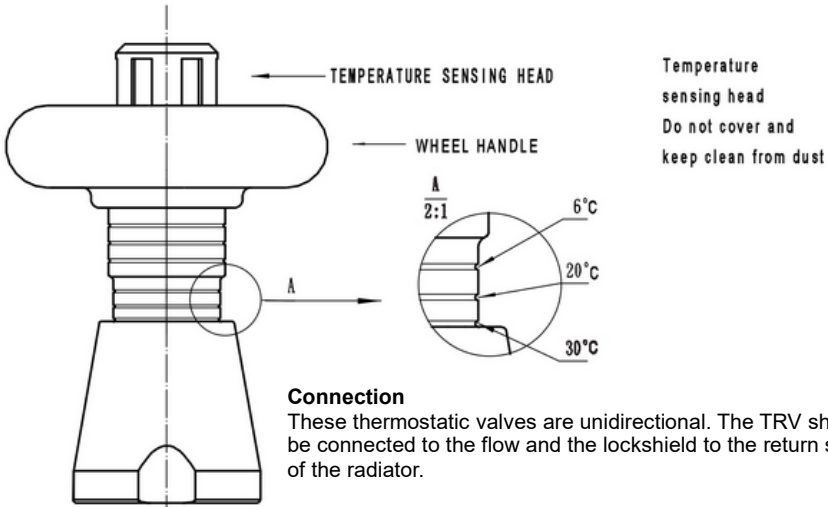


Traditional Thermostatic Radiator Valve



Positive Lock-Off Maintenance Cap (also known as a decorator's cap)

This can be used when removing the radiator from the system to ensure a positive lock-off: Open the valve fully, then unscrew the thermostatic head, place this cap on top of the valve pin, replace the thermostatic head. Once inserted finger-tighten the head only. A 1/4 turn is usually sufficient, do not excessively tighten.